

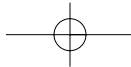


## Colored light – as easy as changing a light bulb

DECOSPOT® LED – simple replacement, stunning effect

SEE THE WORLD IN A NEW LIGHT





## Lighting design made easy – with LEDs

### Simple replacement – out with the old light bulbs, in with LED lamps

With its DECOSPOT® LED, OSRAM now adds color to lighting design – in the usual high quality and attractive styling. And the best news is that it's as easy as changing a light bulb. These new lamps will fit in all standard fixtures with E14 or GU10 holders.

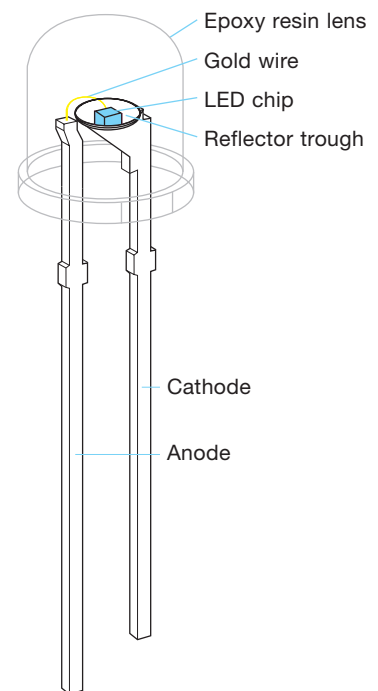
### Modern LED technology – extremely efficient and effective

Whereas an ordinary light bulb has a filament that is heated until it glows, an LED produces light by the move-

ment of electrons in a semiconductor material. This results in light of a particular wavelength (known as monochromatic light), which is why LEDs are particularly efficient at producing colors. LEDs have distinct advantages when used for decorative accent lighting:

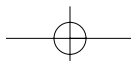
- **Efficient generation of colored light**  
The light does not have to be filtered; the light is emitted directly as colored light
- **Low energy consumption**  
Powerful effects even at low intensities of light
- **Long life**  
Virtually no wear and tear on components

- **Low maintenance costs**  
thanks to low energy consumption and long life
- **Very low thermal output**
- **High resistance to jolts and vibrations**  
because there are no sensitive parts
- **Enhanced safety compared with simple designs**  
thanks to double insulation



**Simple replacement: DECOSPOT® LED fits all standard fixtures with E14 or GU10 holders.**

**LED technology for creative lighting with low energy consumption.**



## Color your judgement

Homes, offices and shops can be given a fresh new look with dashes of color from elegant and modern DECOSPOT® LED fixtures. There is a choice of white, red, green and blue. Walls and objects take on completely different looks depending on the colors chosen. For special effects, use DECOSPOT® LED color-changing, which automatically changes from one color to the next. Display cabinets and shop windows attract more attention as the mood of the display changes with each new color.

### A colorful future – with DECOSPOT® LED

The new generation of LEDs from OSRAM speaks for itself. If you are looking for lighting with low energy consumption, long life, excellent safety and outstanding reliability, the DECOSPOT® LED is exactly right.

### A perfect team – with MOODSPOT™ LED

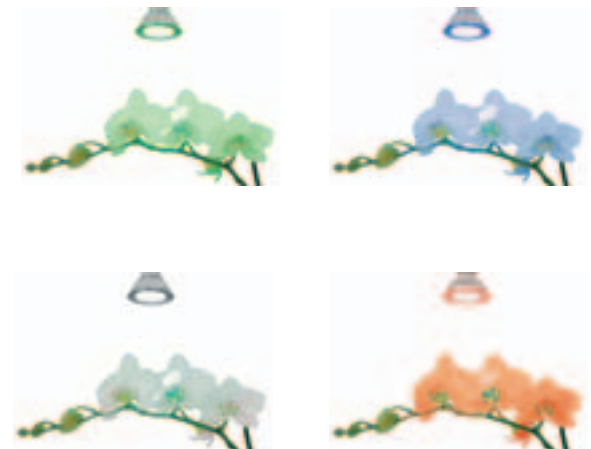
MOODSPOT™ LED is equipped with a DECOSPOT® LED color-changing lamp – but is also suitable for the other DECOSPOT® LEDs with GU10 bases. This elegant fixture is complete and ready for installation. It will enhance any home, office or shop with its special accent lighting.



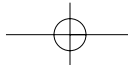
*High-quality presentation in the right colors to suit the merchandise with MOODSPOT™ LED.*



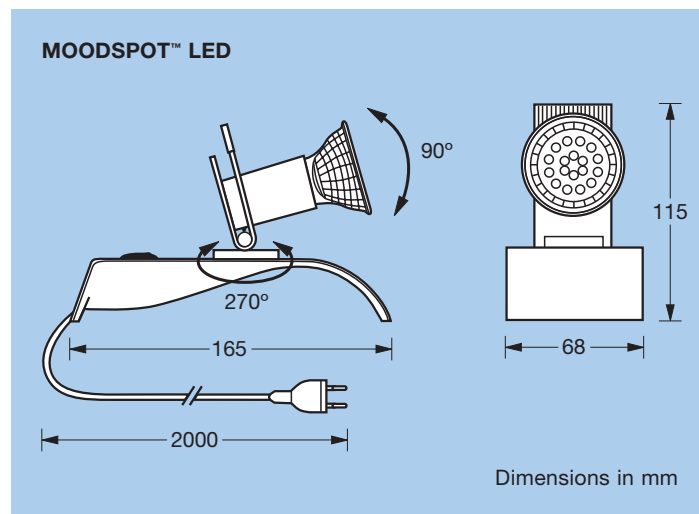
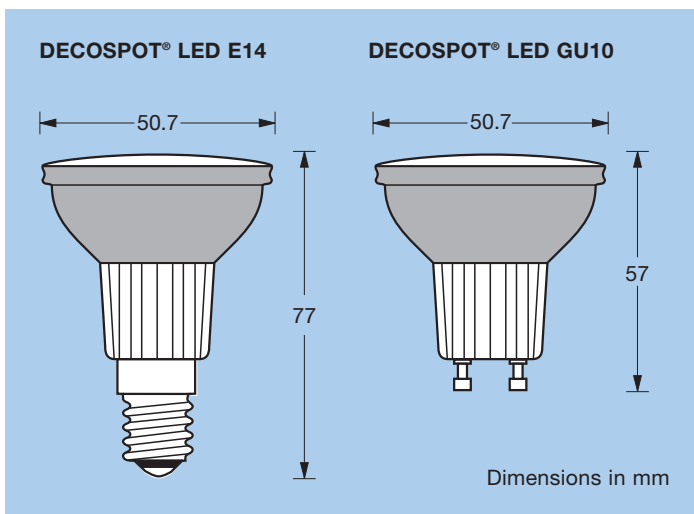
*A cool look thanks to the judicious use of colored light.*



*Four colors for maximum versatility: DECOSPOT® LED is perfect for individual lighting design.*



## Technical data



### DECOSPOT® LED with E14 base for mains voltage, PAR 16

Article	DECOSPOT® LED color-changing	DECOSPOT® LED white	DECOSPOT® LED red	DECOSPOT® LED green	DECOSPOT® LED blue
Product reference	80001	80002	80003	80004	80005
Supply voltage	230 V	230 V	230 V	230 V	230 V
Lamp wattage	0.6–0.7 W	0.8 W	0.7 W	0.8 W	0.8 W
Beam angle	12°	20°	12°	12°	12°
Max. luminous intensity	8.3–35 cd	180 cd	65 cd	325 cd	85 cd
Product number	4008321 905550	4008321 905635	4008321 905529	4008321 905536	4008321 905543
Standard pack	6	6	6	6	6

### DECOSPOT® LED with GU10 base for mains voltage, PAR 16

Article	DECOSPOT® LED color-changing	DECOSPOT® LED white	DECOSPOT® LED red	DECOSPOT® LED green	DECOSPOT® LED blue
Product reference	80011	80012	80013	80014	80015
Supply voltage	230 V	230 V	230 V	230 V	230 V
Lamp wattage	0.6–0.7 W	0.8 W	0.7 W	0.8 W	0.8 W
Beam angle	12°	20°	12°	12°	12°
Max. luminous intensity	8.3–35 cd	180 cd	65 cd	325 cd	85 cd
Product number	4008321 905598	4008321 905642	4008321 905567	4008321 905574	4008321 905581
Standard pack	6	6	6	6	6

### MOODSPOT™ LED

Product reference	80010 - 01
Mains voltage	230 V / 50 Hz
Lamp fitted	DECOSPOT® LED color-changing, with GU10 base
Protection class	II
Type of protection	IP 20
Approval marks	CE □ ▽ ⚡ ⚠ *
Product number	4008321 105974
Standard pack	4

\*applied for

