

OSRAM SOFTLITE® AND OSRAM SOFTLITE® *electronic*

MUSIC FOR THE EYES

High-tech design in conjunction with the particular benefit of direct and indirect lighting. These are the impressive advantages of the new OSRAM SOFTLITE® series of wall and ceiling luminaires.

The OSRAM logo is displayed in a bold, orange, sans-serif font in the bottom right corner of the advertisement. The background of the entire advertisement is a deep blue gradient, with a central image of a dark, rectangular luminaire fixture with a circular cutout, set against a lighter blue background. Two vertical, glowing light fixtures are positioned on the left and right sides of the central image, creating a sense of depth and highlighting the product's design.

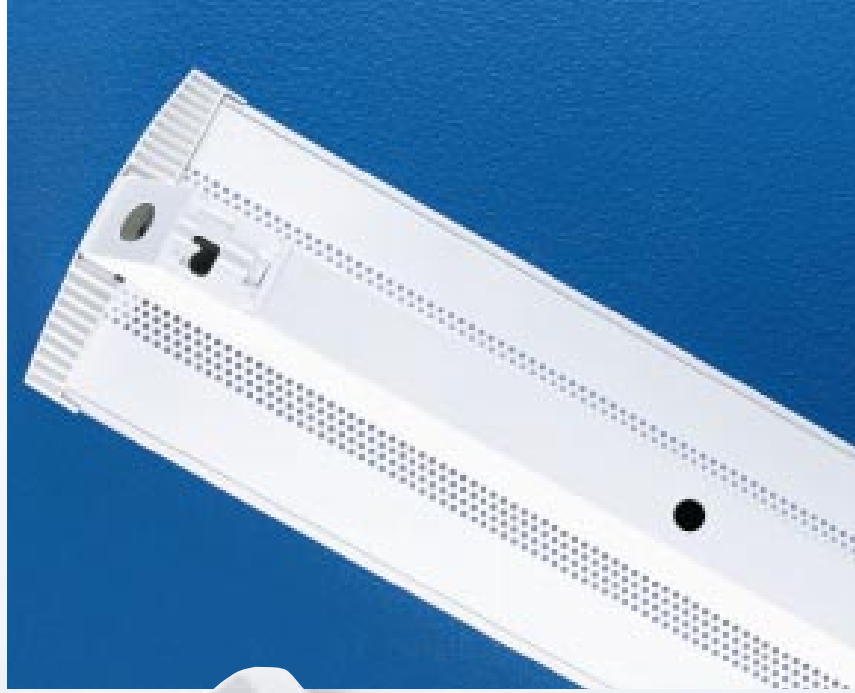
THERE IS LIGHT. AND THERE IS OSRAM.

AND DESIGN

LONG-TERM QUALITY, SIMPLE OPERATION

The high-quality powder-coated and precision perforated sheet steel and the excellent workmanship ensure that the OSRAM SOFTLITE® and OSRAM SOFTLITE® *electronic* luminaires not only look good but are rugged and durable. They are also extremely easy to install.

- The luminaire is quick and easy to fix with two screws at the back.
- The luminaire can be connected to the mains at the side or at the back.



*So simple to install.
The luminaire is quick and
easy to fix with two screws at
the back. Another practical
feature is the choice of
connecting the luminaire to
the mains either centrally at
the back or at the either end.*



PERFECT HARMONY OF TECHNOLOGY

PIONEERING DESIGN

The new aesthetic, high-quality OSRAM SOFTLITE® and OSRAM SOFTLITE® *electronic* wall and ceiling luminaires with their decorative high-tech design will blend into almost any surroundings. A real treat for the eyes, even when it's switched off. The versatile combination of direct and indirect lighting and the effect of the foil-backed perforated cover provide a pleasant, soft, glare-free light.

OSRAM SOFTLITE® - FOR LOVERS OF LIGHT

The 18 W, 30 W, 36 W and 58 W models are equipped with the new environmentally friendly and economical LUMILUX® PLUS ECO T8 fluorescent lamp.

- It contains only a very small amount of mercury.
- It is fully recyclable.
- Its loss of luminous flux after 10,000 hours of operation has been reduced to around 8% compared to 18% previously.

OSRAM SOFTLITE® is intended primarily for use around the home, wherever particularly pleasant and economical light is needed, such as

- above work surfaces
- next to mirrors
- in corridors or
- as impressive wall washers.



AND FUNCTIONALITY

OSRAM SOFTLITE® *electronic* – FOR PROFESSIONALS WHO NEED THE BEST

The 24 W, 39 W, 54 W and 80 W models provide even greater comfort and economy. They are equipped with:

- an FQ®-fluorescent lamp; the FQ® 54 W version of these innovative, extremely bright yet remarkably compact fluorescent lamps, for example, is only 1149 mm long but provides the same luminous flux as the 1500 mm long LUMILUX® PLUS ECO 58 W
- modern electronic control gear.

This means that OSRAM SOFTLITE® *electronic* can also be used for more demanding lighting applications in commercial and semi-commercial premises, such as:

- in reception areas of doctors' practices, law firms, etc.
- in rooms designed to impress visitors
- in offices and
- in corridors.

**OSRAM Softlite® *electronic*
with FQ®-fluorescent lamp**





**EXTREMELY COMFORT-
ABLE LIGHTING
THAT IS WELL WORTH
THE INVESTMENT:
ELECTRONIC CONTROL
GEAR AND FQ® LAMPS**

OSRAM SOFTLITE® 24 W, 39 W, 54 W and 80 W *electronic* are equipped with QUICKTRONIC® QT-FQ® *electronic* control gear. The particularly slim QUICKTRONIC® QT-FQ® units are designed for maximum luminous flux (up to 7000 lm in the case of FQ® 80 W) and unobtrusively yet effectively provide

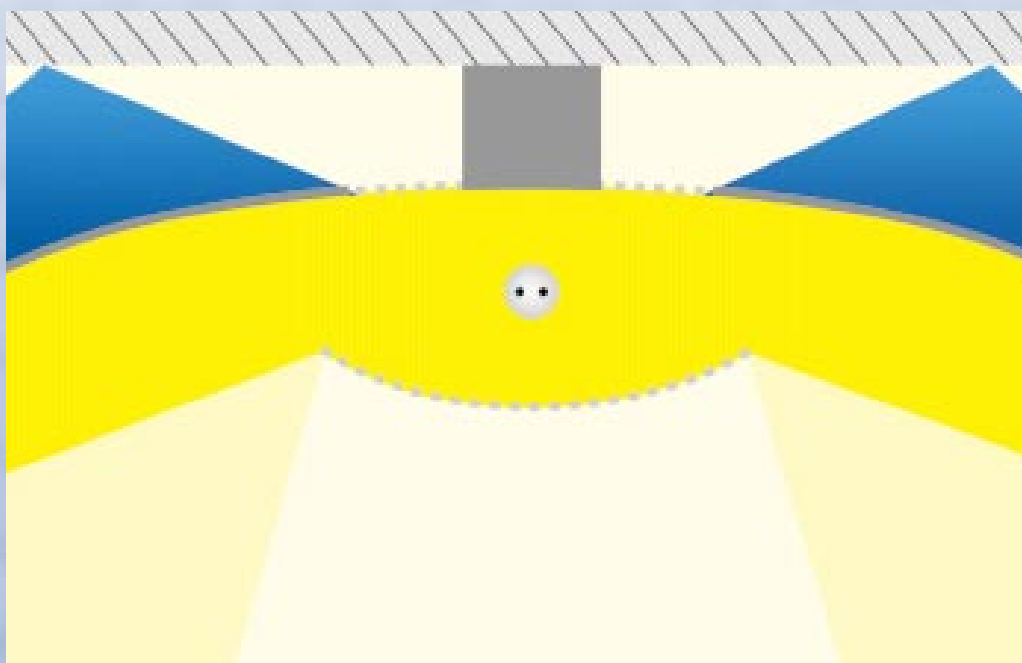
- greater comfort
- greater safety and
- greater economy.

**GREATER COMFORT AND
SAFETY:**

- Flicker-free starting
- Pleasant flicker-free light thanks to high-frequency operation
- Extremely comfortable light, no stroboscopic effects, and virtually silent operation thanks to fully electronic operation
- No flickering or flashing; the electronic fault monitoring circuit shuts down defective lamps
- Complies with the European standards for safety, operation and EMC.

GREATER ECONOMY:

- High lumen values
- Long lamp life thanks to gentle protective operation with innovative cut-off technology (disconnection of the preheating circuit when the lamp is in operation)
- Low maintenance costs thanks to long lamp life and longer intervals before the lamps have to be replaced.



ALL-ROUND SUCCESS

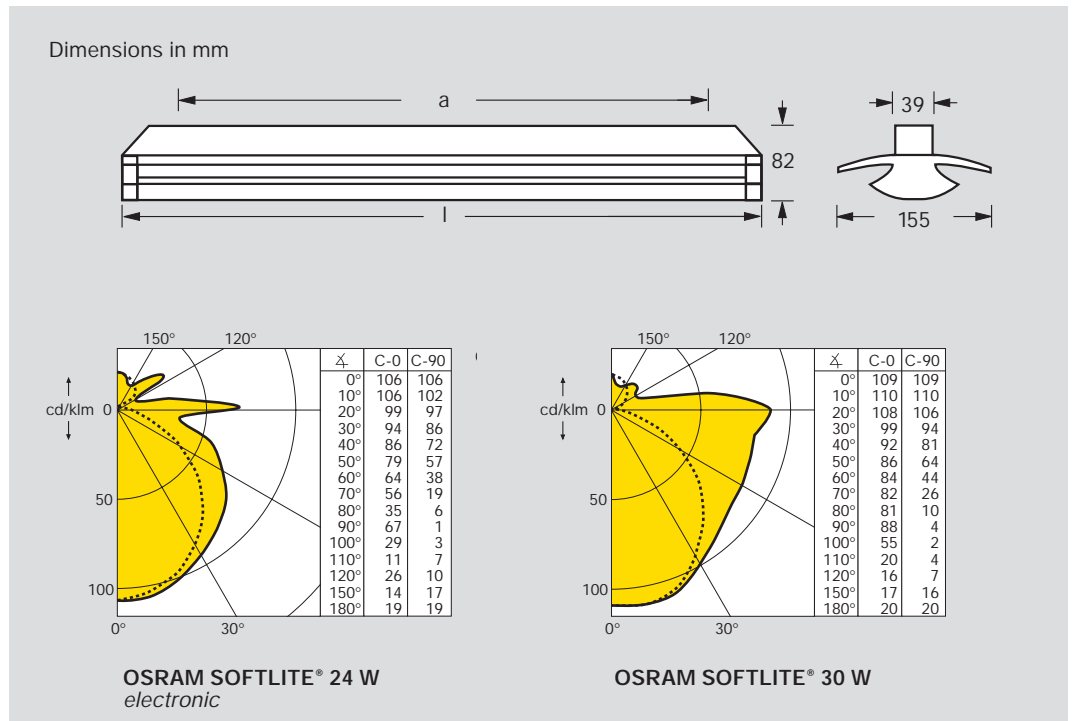
OSRAM SOFTLITE® and OSRAM SOFTLITE® *electronic* are extremely impressive with their highly effective direct and indirect lighting:

- forwards into the room through the perforated sheet steel
- backwards to the wall through special „masks“ at the back of the luminaire
- at the ends through specially designed end pieces and
- „obviously“ to the sides.

THE MOST IMPORTANT FEATURES AT A GLANCE:

- Decorative high-tech luminaire for mounting on walls or ceilings
- Direct and indirect lighting
- Soft and largely glare-free light
- High-quality construction in powder-coated and precision perforated sheet steel
- Rugged, durable and easy to install
- Mains connection either at the side or at the rear
- OSRAM SOFTLITE® 18 W, 30 W, 36 W and 58 W with modern LUMILUX® PLUS ECO T8 fluorescent lamp
- OSRAM SOFTLITE® 24 W, 39 W, 54 W and 80 W electronic with innovative FQ® fluorescent lamp

TECHNICAL DATA



Type	OSRAM SOFTLITE®			
	18 W	30 W	36 W	58 W
Lamp reference	72531	72532	72533	72534
Mains voltage	230 V	230 V	230 V	230 V
Mains frequency	50 Hz	50 Hz	50 Hz	50 Hz
Lamp wattage	18 W	30 W	36 W	58 W
Length l	650 mm	955 mm	1260 mm	1560 mm
Distance between mounting holes	552 mm	857 mm	1160 mm	1460 mm
Weight	1.5 kg	2.2 kg	3.0 kg	3.6 kg
White EAN 40503000	535555	535579	535593	535616
Standard pack	2	2	2	2
Lamp	L 18/41-827 PLUS ECO	L 30/41-827 PLUS ECO	L 36/41-827 PLUS ECO	L 58/41-827 PLUS ECO
Protection class	I	I	I	I
Type of protection	IP 20	IP 20	IP 20	IP 20
Approval marks				

Type	OSRAM SOFTLITE® electronic			
	24 W	39 W	54 W	80 W
Lamp reference	72535	72536	72537	72538
Mains voltage	230-240 V	230-240 V	230-240 V	230-240 V
Netzfrequenz	50-60 Hz	50-60 Hz	50-60 Hz	50-60 Hz
Mains frequency	24 W	39 W	54 W	80 W
Length l	610 mm	910 mm	1210 mm	1510 mm
Distance between mounting holes	512 mm	812 mm	1110 mm	1410 mm
Weight	1.1 kg	1.7 kg	2.3 kg	2.8 kg
White EAN 40503000	535630	535654	535678	535692
Standard pack	2	2	2	2
Lamp	FQ® 24W/31-840	FQ® 39 W/840	FQ® 54 W/840	FQ® 80 W/840
Protection class	I	I	I	I
Type of protection	IP 20	IP 20	IP 20	IP 20
Approval marks				

¹⁾ in preparation

OSRAM on the internet:
www.osram.de

THERE IS LIGHT. AND THERE IS OSRAM.

OSRAM