



No matter how you twist and turn  
them, they're always in great shape

OSRAM DULUX® TABLE JET and HALOPIN® TABLE JET – extremely flexible

SEE THE WORLD IN A NEW LIGHT

**OSRAM**



# OSRAM DULUX® TABLE JET and HALOPIN® TABLE JET

## Two bright newcomers

Fascinatingly flexible: OSRAM has added two attractive models to its range of table lights, the OSRAM DULUX® TABLE JET and the HALOPIN® TABLE JET.

Both of them have a number of things in common, such as their high-quality workmanship, their aesthetic design and their amazing versatility. They are lightweight but extremely stable thanks to their aluminium construction. They will grace any desk or table thanks to their modern design and clean lines. And they are extremely flexible thanks to their elastic hinges and integrated spring balance system.

The two lights differ, however, in the lamps they are designed to take. One is equipped with an energy-saving 20 W OSRAM DULUX® lamp, whereas the other works with a 60 W HALOPIN® lamp. The heads are designed around these lamps.

Depending on where and how these lights are to be used, they come either with an elegant base or

with a practical clamp. That's why most buyers will use them in a variety of places. OSRAM DULUX® TABLE JET and HALOPIN® TABLE JET look great not only in the office. They can also be used almost anywhere at home.

### HALOPIN® TABLE JET – it's time for a new light

Its innovative, elegant look comes from using HALOPIN® from OSRAM, one of the smallest mains voltage halogen lamps in the world. Because this lamp does not need a mains adapter, the HALOPIN® TABLE JET is particularly lightweight and stylish.

The slim look of the HALOPIN® TABLE JET is further underlined by a transparent mains cable that runs along the ribbed section of the arm. Additionally, the HALOPIN® light is equipped with a spacer ring to meet strict safety requirements. It provides an easy way of moving the head when the lamp is turned on.



OSRAM DULUX® TABLE JET



HALOPIN® TABLE JET



**HALOPIN® TABLE JET**

### **OSRAM DULUX® TABLE JET** **Light for so many uses**

The new OSRAM DULUX® TABLE JET is not just pretty to look at. Equipped with an energy-saving 20 W OSRAM DULUX® lamp, it casts a positive light on everything you do.

The double-tube arm on the OSRAM DULUX® TABLE JET, like that on the HALOPIN® TABLE JET, can rotate in its base or in the clamp. On both models, the arm consists of two flat aluminium sections that are connected to each other by a die-cast zinc hinge system. Springs are integrated in the aluminium sections so the arm can be moved freely and easily.

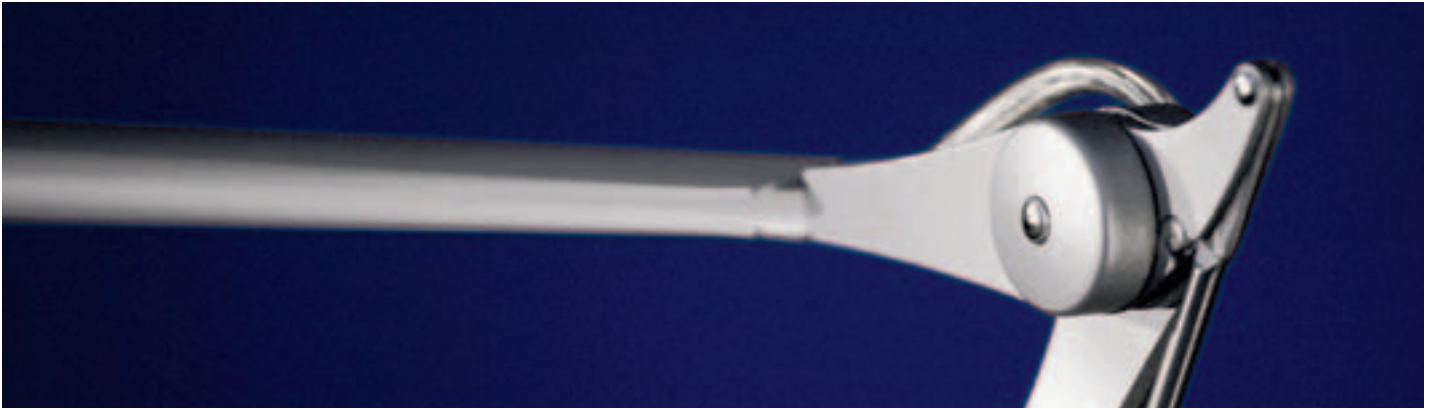
### **Benefits of the JET series at a glance**

The elegant, high-quality JET series of table lights is the ideal solution for a wide range of lighting needs. With a base or clamp, in the OSRAM DULUX® or HALOPIN® version, on desks or tables, the new JET lights meet the most demanding requirements.

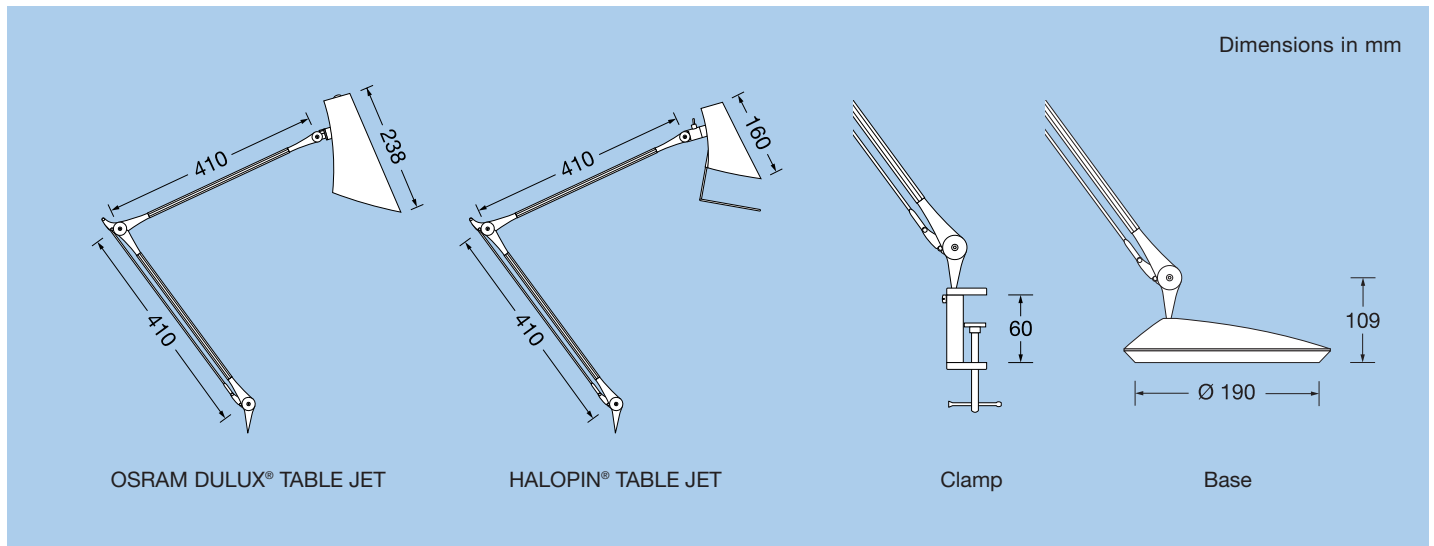
- Good stability and low weight thanks to aluminium construction
- Flexible arm with integrated spring balance system
- Arm rotates in the base or clamp
- Complete with Euro mains plug and 2 m of transparent mains cable
- Individual head design (adapted to suit the lamp used)



# OSRAM DULUX® TABLE JET and HALOPIN® TABLE JET



## Technical data



	OSRAM DULUX® TABLE JET		HALOPIN® TABLE JET	
	Clamp	Base	Clamp	Base
Product no.	73180	73180-47	43730	43730-47
Order no., EAN	4050300867168		4050300862163	
Colour	silver	silver	silver	silver
Weight (g)	860	4280	880	4300
Supply voltage	230V	230V	230V	230V
Mains frequency	50–60 Hz	50–60 Hz	50 Hz	50 Hz
Equipped with lamp	OSRAM DULUX® EL LL 20 W (short)		HALOPIN® 60 W (opal)	
Protection class	II	II	II	II
Type of protection	IP 20	IP 20	IP 20	IP 20
Approval marks				
Standard pack	4	4	4	4

