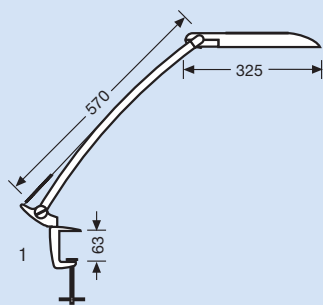


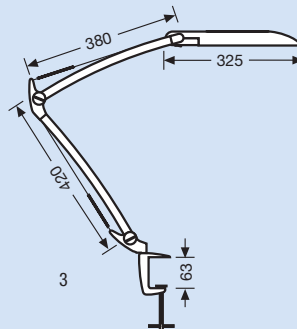
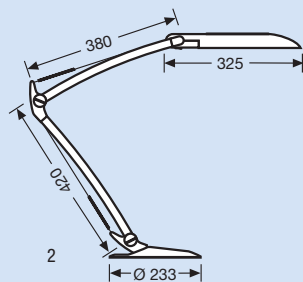
OSRAM DULUX® TABLE SPRING

OSRAM DULUX® TABLE ECO



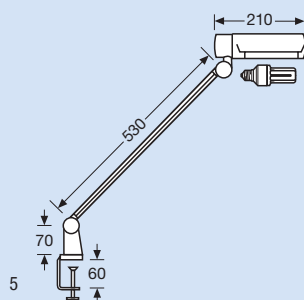
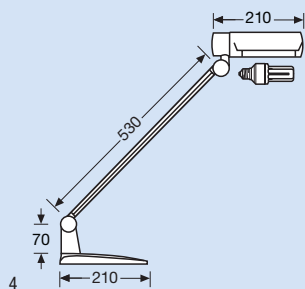
OSRAM DULUX® TABLE SPRING 1

Type	Product no. <small>SILVER</small>	Variant	Prod. ref.	Fig.	SP
11 W	4050300667270	Clamp	73158	1	4



OSRAM DULUX® TABLE SPRING 2

Type	Product no. <small>SILVER</small>	Variant	Prod. ref.	Fig.	SP
11 W	4050300667232	Base	73159	2	4
11 W	4050300667256	Clamp	73160	3	4



OSRAM DULUX® TABLE ECO

Type	Product no. <small>SILVER</small>	Variant	Prod. ref.	Fig.	SP
21 W	4050300566641	Base	73177	4	4
21 W	4050300564005	Clamp	73176	5	4



Description and features

OSRAM DULUX® TABLE SPRING is an inexpensive high-quality table light for home and office in single-arm (OSRAM DULUX® TABLE SPRING 1) and double-arm (OSRAM DULUX® TABLE SPRING 2) designs.

- Decorative arm made from shaped aluminium section, rotary bearing in the base hinge
- Swivel head with aluminium reflector

Technical data and equipment

- 2 m of power cable with control gear in the plug
- Equipped with OSRAM DULUX® S 11 W/830 lamp
- Mains voltage: 230 V/50 Hz
-
- Colour: silver

Description and features

OSRAM DULUX® TABLE ECO is a single-arm table light with advanced technology for infinite adjustment of the arm.

- Infinitely adjustable arm thanks to Comfort System hinge with no adjusting screws or external springs
- Tilt-and-swivel head with adjustable glare guard
- Low-profile base or clamp

Technical data and equipment

- 2 m of cable and plug
- Equipped with OSRAM DULUX® EL ECONOMY 21 W
- Mains voltage: 220-240 V/50-60 Hz
-
- Colour: silver