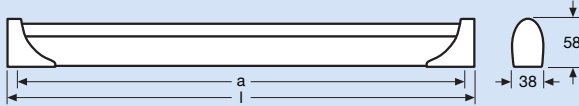


OSRAM ECOPACK®-FQ OSRAM ECOPACK®-FQ DIM



OSRAM ECOPACK®-FQ

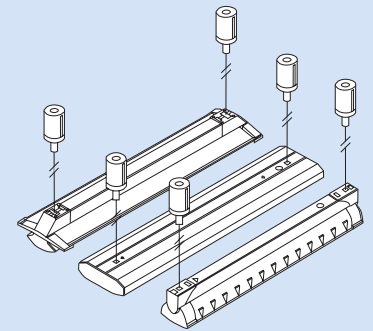
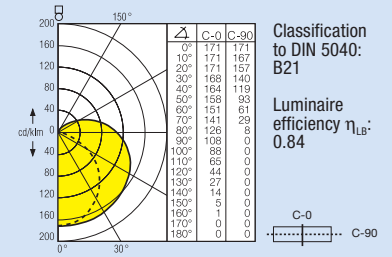
Type	Product no. <small>WHITE</small>	Prod. ref.	SP	l [mm]	a [mm]
24 W	4050300797762	72630	4	584	538
39 W	4050300859187	72631	4	884	838
54 W	4050300859200	72632	4	1184	1138

OSRAM ECOPACK®-FQ DIM

Type	Product no. <small>WHITE</small>	Prod. ref.	SP	l [mm]	a [mm]
24 W	4050300859767	72640	4	584	538
39 W	4050300859781	72641	4	884	838
54 W	4050300859804	72642	4	1184	1138

ACCESSORIES: Pendant kit

Type	Product no. <small>SILVER</small>	Prod. ref.	SP
Pendant kit	4050300792200	72097	4



Description and features

OSRAM ECOPACK®-FQ luminaires are extremely bright. Thanks to innovative 16 mm FQ® fluorescent lamps, these luminaires provide up to 50 % greater luminous flux than batten luminaires of the same length equipped with 26 mm fluorescent lamps.

- Compact electronic batten luminaires for fixed connection
- With innovative FQ® fluorescent lamp
- With QUICKTRONIC® QT-FQ or QT-FQ DIM electronic control gear
- Long lamp life thanks to cut-off technology
- Without cover for maximum luminous flux
- OSRAM ECOPACK®-FQ DIM:
 - dimmable from 100 % to 1 %
 - controlled by 1...10V DC control signals, suitable for daylight-dependent lighting control using OSRAM light sensors

Technical data and equipment

- Equipped with FQ® lamp in light colour 840
- Mains voltage: 230-240 V/0, 50-60 Hz
- Ⓢ IP20 ▽ ▽ ▽ ⚡ ⚠
- Colour: white

Accessories

- Daylight sensors for constant lighting control for OSRAM ECOPACK®-FQ DIM (see page 20)
- Pendant kit (for a description see page 23)

