



Only dummies stay in the car after a crash

OSRAM LED SAVER LIGHT with seat-belt cutter and life hammer – for any eventuality



SEE THE WORLD IN A NEW LIGHT



Safe – thanks to LED SAVER LIGHT



Warning function: Twelve flashing red LEDs act as a warning signal so other drivers can avoid the scene of the accident. With its three magnets the torch stays in place on any metal surface.

What would you do in a crash?

If you are involved in an accident it is important to get yourself and others away from the danger area as quickly as possible. Staying in your vehicle only increases the risk of further injury (e.g. by subsequent crashes or fire in the car). After an accident, the driver and passengers often find themselves trapped by their seat belts. They may also be unable to open the doors. As if that were not bad enough, it may also be dark. To free themselves they need a seat-belt cutter, life hammer and torch.

Everything to hand

The neatest solution is the LED SAVER LIGHT. This innovative torch will cut through seat belts, break windows, act as an emergency signal and save lives. All in one and worth every penny. Making roads a reassuringly safer place.



Life hammer: With two tough metal spikes, the LED SAVER LIGHT can be used as an effective life hammer to break windows and provide an escape route if the doors are jammed.



Seat-belt cutter: With its two razor-sharp blades, both well protected from accidental contact, the LED SAVER LIGHT will slice through a seat belt in no time at all to give the driver and passengers freedom to move.



Seat-belt cutter



Magnets



Life hammer

Always there when you need it

The really good thing about the LED SAVER LIGHT is that it's always there when you need it. Whatever car you drive, there is a way of fixing the torch so that it is near at hand without obstructing any of the car's controls. So that when every second counts, the LED SAVER LIGHT is always within easy reach.

The benefits:

- Bright krypton lamp
- 2 seat-belt cutters
- 2 metal spikes for breaking windows
- 12 flashing red LEDs to give warning and emergency signals
- 3 magnets for securing the torch to the outside of the car (on the roof etc.)
- Rugged clip
- Can be mounted with bolts, pins or hook and loop tape



Pinned down: Four special pins anchor the holder for the LED SAVER LIGHT firmly to the carpet – e.g. in the footwell next to the driver's seat.



Secure: The holder for the LED SAVER LIGHT can also be securely bolted in place – for example on the central console.

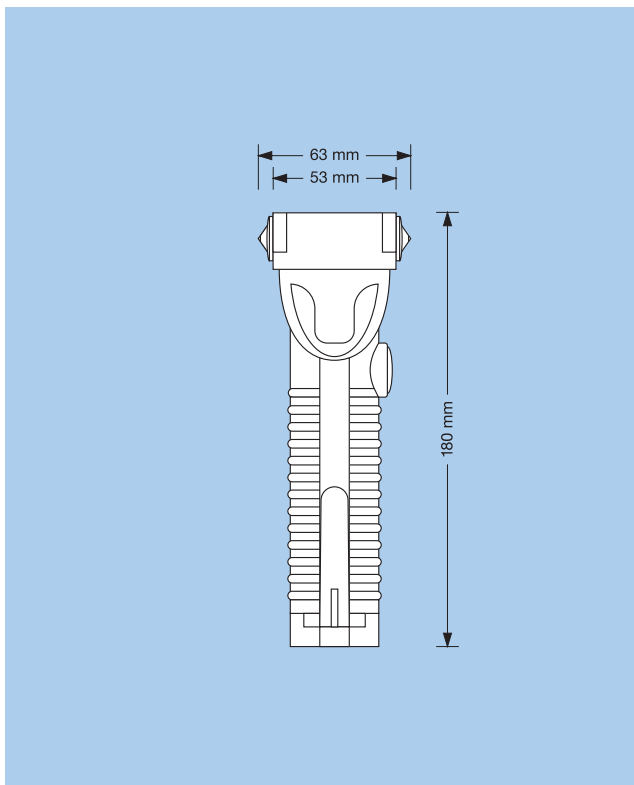


Completely hooked: With strong hook and loop tape, the holder for the LED SAVER LIGHT can be attached wherever a second tape can be fitted – on the dashboard for example.

The compact life-saver – OSRAM LED SAVER LIGHT in detail

Safety on the move

The LED SAVER LIGHT from OSRAM is more than just a torch. It is a multi-function tool with a seat-belt cutter, life hammer and flashing LED warning lights that will help the driver and passengers escape from their car after an accident. LED SAVER LIGHT clearly contributes to safety on the roads.



Technical data

LED SAVER LIGHT	
EAN 4050300	884 882
Dimensions	180 x 63 x 53mm
Weight	124g (excl. batteries)
Rated wattage	1,7W (krypton lamp)
Colour	silver/blue
Standard pack	6
Batteries	2 x Mignon AA (not included)

Attractive packaging: the LED SAVER LIGHT is a real eye-catcher.